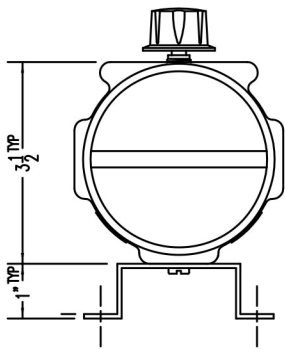


WIRING DIAGRAM

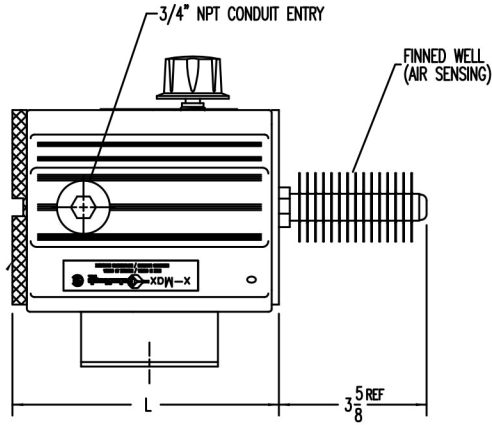
UNIT SUPPLIED AS CHECKED

TABLE 1 - SPECIFICATIONS

| DESCRIPTION | TEMPERATURE RANGE | HAZARDOUS AREA RATING | | APPROX WEIGHT KG (LBS) | CATALOG NO. | |
|---|---|--|--|------------------------|--|--|
| | | CL I OR A, B, C, D CL II OR E, F, G CL III | CL I OR C, D CL II OR E, F, G CL III | | SPST - 15A/600V 10 25A/277V | DPST - 15A/600V 30 25A/277V |
| REMOTE SENSING BULB W/57" CAPILLARY LENGTH | -18 TO 40°C (0-100°F) 10 TO 120°C (50 - 250°F) | — | ✓ | 1.7 (3.8) 1.7 (3.8) | <input type="checkbox"/> XTB04481 <input type="checkbox"/> XTB12481 | <input type="checkbox"/> XTB04483 <input type="checkbox"/> XTB12483 |
| BULB IN WELL W/1/2" NPT FITTING FOR LIQUID SENSING | -18 TO 40°C (0-100°F) 10 TO 120°C (50 - 250°F) | ✓ | ✓ | 1.8 (4.0) 1.8 (4.0) | <input type="checkbox"/> XTWL04481 <input type="checkbox"/> XTWL12481 | <input type="checkbox"/> XTWL04483 <input type="checkbox"/> XTWL12483 |
| BULB IN FINNED WELL FOR AIR SENSING | -18 TO 40°C (0-100°F) 10 TO 120°C (50 - 250°F) | ✓ | ✓ | 1.8 (4.0) 1.8 (4.0) | <input type="checkbox"/> XTWA04481 <input type="checkbox"/> XTWA12481 | <input type="checkbox"/> XTWA04483 <input type="checkbox"/> XTWA12483 |

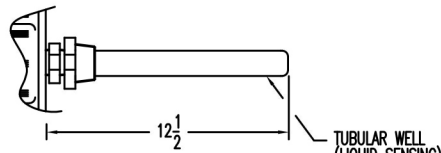
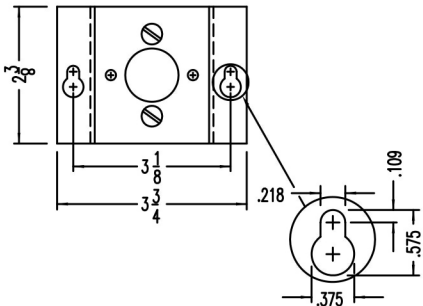


SPST

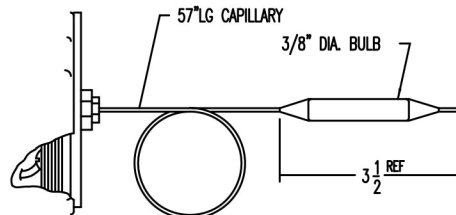


TYPE XTWA

| TYPE | L |
|------|--------|
| SPST | 6 1/2" |
| DPST | 7 1/4" |



TYPE XTWL



TYPE XTIB

| | | | |
|---|---------|---|---|
| TITLE | | APPROVAL DATA SHEET XT EXPLOSION-PROOF THERMOSTAT | |
| DWG | C12350A | REV. | 0 |
| CUSTOMER | | P.O. | |
| PROJECT | | | |
| CCI Thermal Technologies Inc. EDMONTON, ALBERTA | | | |